



SUBMITTAL DATA - OUTDOOR UNIT

VEP042N4U

MINI VRF HEAT PUMP

Job Name: _____
 Location: _____
 Schedule No.: _____
 System Designation: _____

Engineer: _____
 Architect: _____
 Date: _____
 For: ___ Reference ___ Approval ___ Review ___ Construction

FEATURES

- Two-pipe heat pump
- Gold Fins
- Electronic Expansion Valve
- Automatic Defrost
- High efficiency DC Inverter Scroll compressor
- Flared Connections

PRODUCT WARRANTY

Compressor - Three year limited warranty
 All other components - one year limited warranty

SPECIFICATIONS

PERFORMANCE

Cooling Capacity* (Btu/h)	41,285
EER	3.97
Heating Capacity* (Btu/h)	47,768
COP	4.28

ELECTRICAL DATA

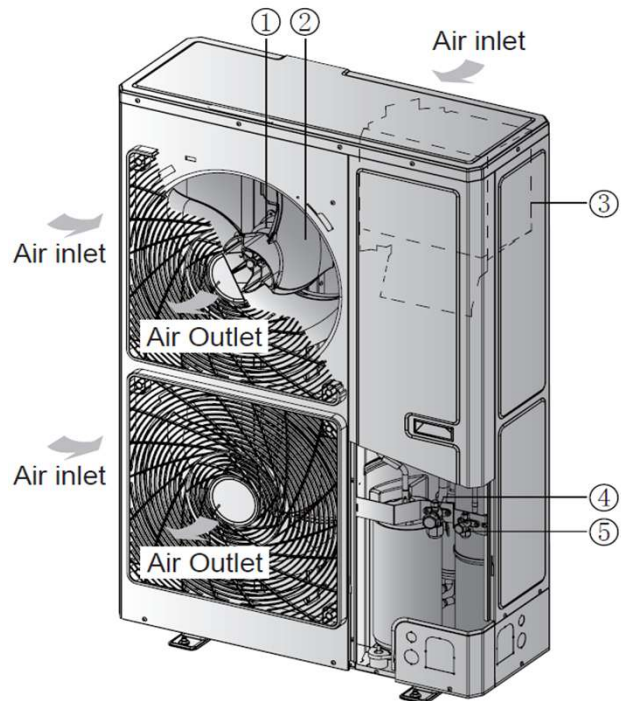
Power Supply (V / Hz / Ph)	220-240/50/1 - 208-230/60/1
MOP (A)	40
No. of Compressors	1
No. of Fans	1

GENERAL DATA

Combination Ratio Indoor / Outdoor	15% to 135%
Max. # of Indoor Units	7 units
Sound Pressure Level (dBA)	55
Refrigerant Type	R410a
Factory Refrigerant Charge (oz)	176.4

DIMENSIONS

Unit Dimensions (in)	Height	53
	Width	35 1/2
	Depth	13 3/8
Liquid Pipe Connection (in)		3/8
Gas Pipe Connection (in)		5/8
Shipping Weight (lb)		264.6
Net Weight (lb)		242.5



1. Fan, Motor
2. Fan Blade
3. Electronic Assembly
4. Gas Valve
5. Liquid Valve

NOTES:

*Cooling and Heating Capacity data is rated at the following conditions:

Cooling: 80 °F DB / 67 °F WB Indoor, 95 °F DB Outdoor

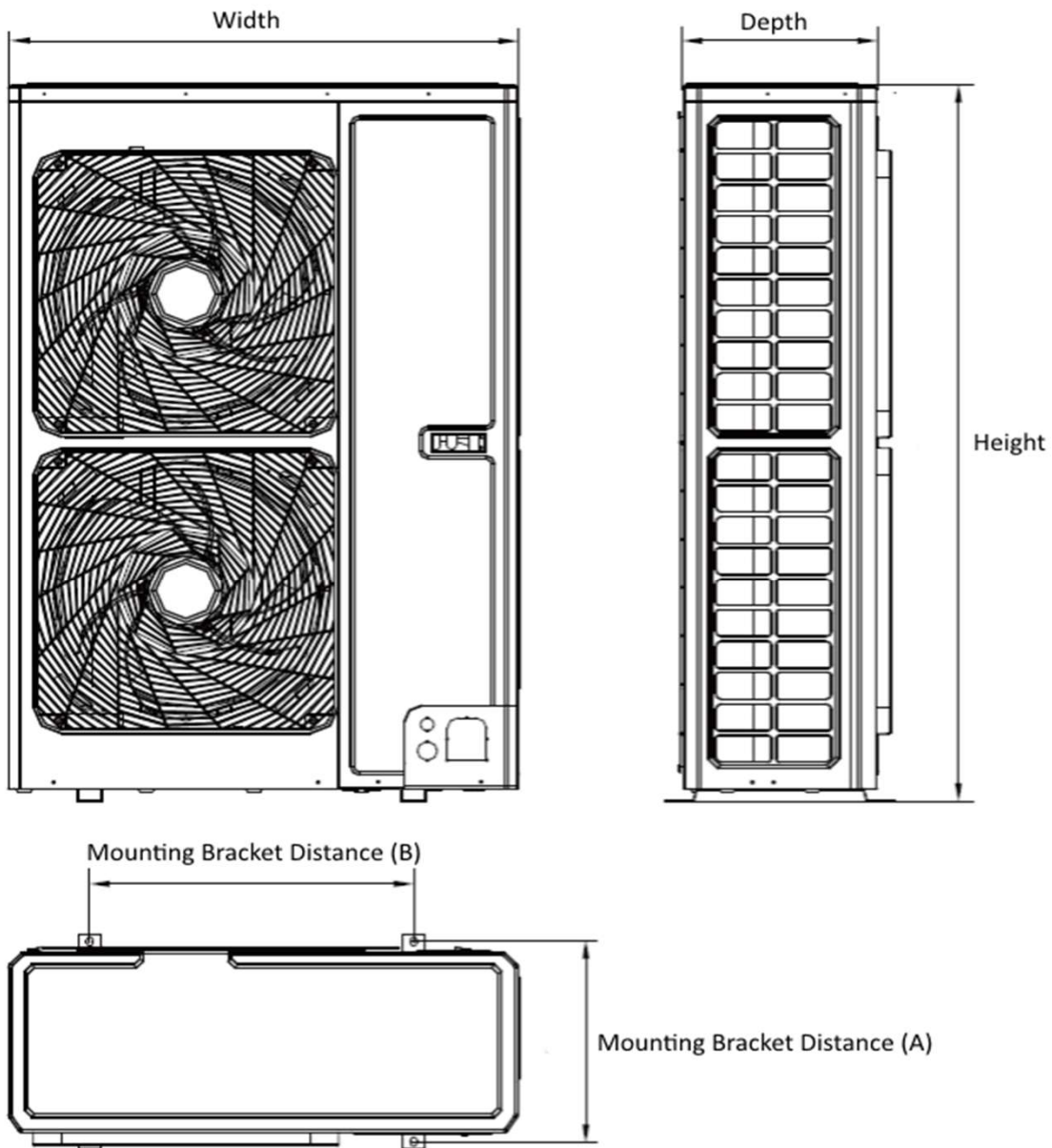
Heating: 70 °F DB Indoor, 47 °F DB

NOTE – Due to Lennox' ongoing commitment to quality, Specifications, Ratings and Dimensions subject to change without notice and without incurring liability. Improper installation, adjustment, alteration, service or maintenance can cause property damage or personal injury. Installation and service must be performed by a qualified installer and servicing agency. ©2014 Lennox Industries Inc.



SUBMITTAL DATA - OUTDOOR UNIT
VEP042N4U
MINI VRF HEAT PUMP

DIMENSIONAL DRAWINGS



	mm	in
Height	1345	53
Width	900	35 1/2
Depth	340	13 2/5
A	378	14 8/9
B	572	22 1/2

NOTE – Due to Lennox' ongoing commitment to quality, Specifications, Ratings and Dimensions subject to change without notice and without incurring liability. Improper installation, adjustment, alteration, service or maintenance can cause property damage or personal injury. Installation and service must be performed by a qualified installer and servicing agency. ©2014 Lennox Industries Inc.



SUBMITTAL DATA - OUTDOOR UNIT

VEP048N4U

MINI VRF HEAT PUMP

Job Name: _____
 Location: _____
 Schedule No.: _____
 System Designation: _____

Engineer: _____
 Architect: _____
 Date: _____
 For: ___ Reference ___ Approval ___ Review ___ Construction

FEATURES

- Two-pipe heat pump
- Gold Fins
- Electronic Expansion Valve
- Automatic Defrost
- High efficiency DC Inverter Scroll compressor
- Flared Connections

PRODUCT WARRANTY

Compressor - Three year limited warranty
 All other components - one year limited warranty

SPECIFICATIONS

PERFORMANCE

Cooling Capacity* (Btu/h)	47,768
EER	3.52
Heating Capacity* (Btu/h)	56,298
COP	4.14

ELECTRICAL DATA

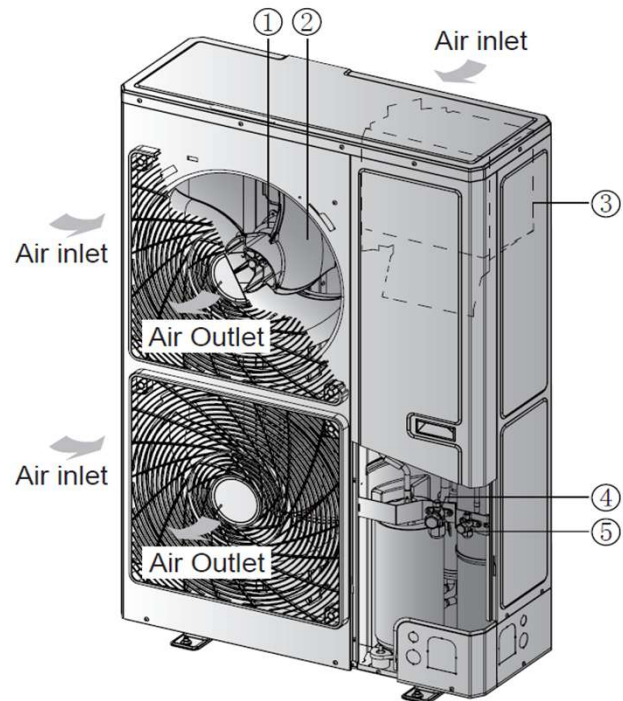
Power Supply (V / Hz / Ph)	220-240/50/1 - 208-230/60/1
MOP (A)	40
No. of Compressors	1
No. of Fans	1

GENERAL DATA

Combination Ratio Indoor / Outdoor	15% to 135%
Max. # of Indoor Units	8 units
Sound Pressure Level (dBA)	56
Refrigerant Type	R410a
Factory Refrigerant Charge (oz)	176.4

DIMENSIONS

Unit Dimensions (in)	Height	53
	Width	35 1/2
	Depth	13 3/8
Liquid Pipe Connection (in)		3/8
Gas Pipe Connection (in)		5/8
Shipping Weight (lb)		264.6
Net Weight (lb)		242.5



1. Fan, Motor
2. Fan Blade
3. Electronic Assembly
4. Gas Valve
5. Liquid Valve

NOTES:

*Cooling and Heating Capacity data is rated at the following conditions:

Cooling: 80 °F DB / 67 °F WB Indoor, 95 °F DB Outdoor

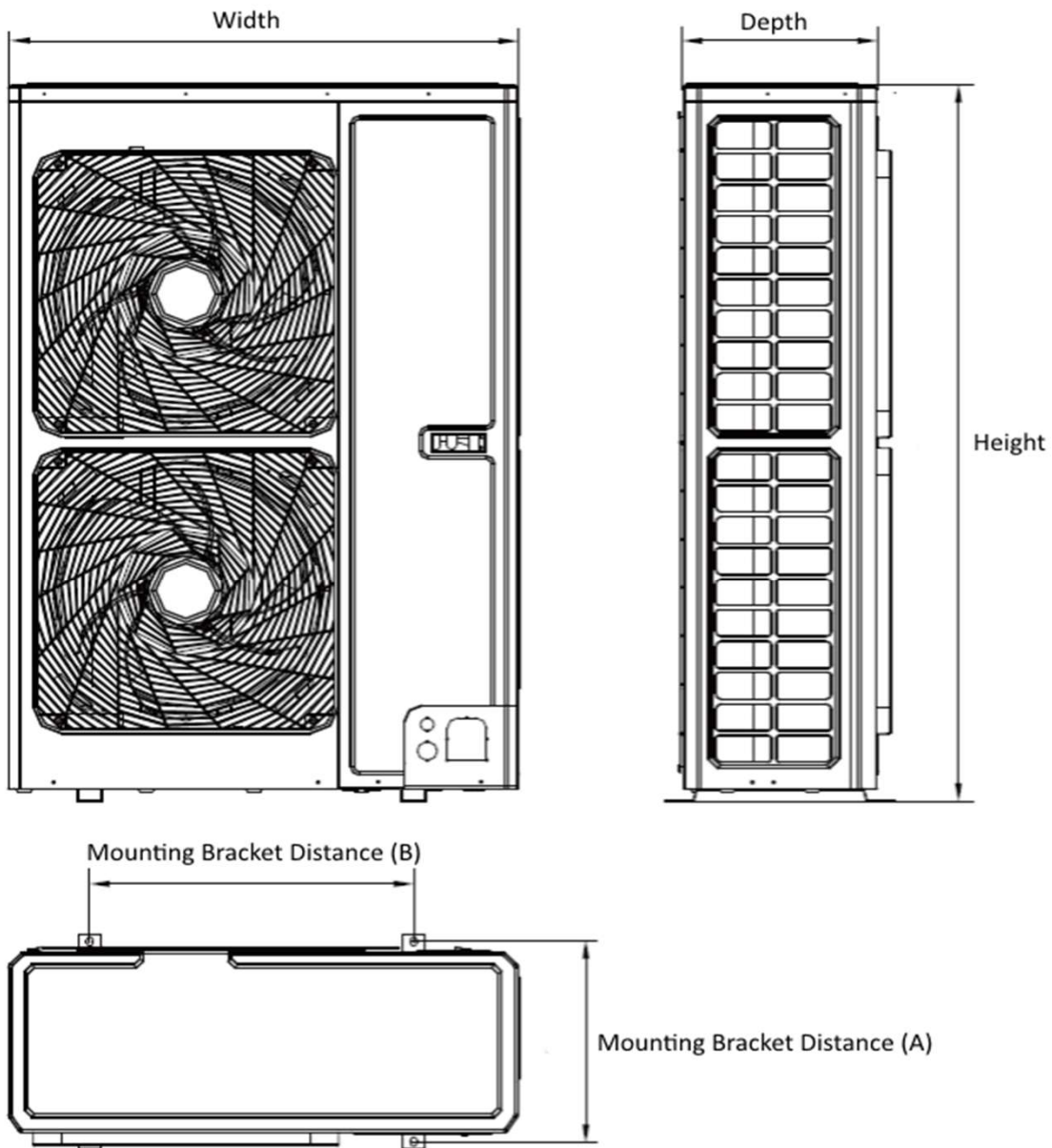
Heating: 70 °F DB Indoor, 47 °F DB

NOTE – Due to Lennox' ongoing commitment to quality, Specifications, Ratings and Dimensions subject to change without notice and without incurring liability. Improper installation, adjustment, alteration, service or maintenance can cause property damage or personal injury. Installation and service must be performed by a qualified installer and servicing agency. ©2014 Lennox Industries Inc.



SUBMITTAL DATA - OUTDOOR UNIT
VEP048N4U
MINI VRF HEAT PUMP

DIMENSIONAL DRAWINGS



	mm	in
Height	1345	53
Width	900	35 1/2
Depth	340	13 2/5
A	378	14 8/9
B	572	22 1/2

NOTE – Due to Lennox' ongoing commitment to quality, Specifications, Ratings and Dimensions subject to change without notice and without incurring liability. Improper installation, adjustment, alteration, service or maintenance can cause property damage or personal injury. Installation and service must be performed by a qualified installer and servicing agency. ©2014 Lennox Industries Inc.



SUBMITTAL DATA - OUTDOOR UNIT

VEP060N4U

MINI VRF HEAT PUMP

Job Name: _____
 Location: _____
 Schedule No.: _____
 System Designation: _____

Engineer: _____
 Architect: _____
 Date: _____
 For: ___ Reference ___ Approval ___ Review ___ Construction

FEATURES

- Two-pipe heat pump
- Gold Fins
- Electronic Expansion Valve
- Automatic Defrost
- High efficiency DC Inverter Scroll compressor
- Flared Connections

PRODUCT WARRANTY

Compressor - Three year limited warranty
 All other components - one year limited warranty

SPECIFICATIONS

PERFORMANCE

Cooling Capacity* (Btu/h)	54,592
EER	3.30
Heating Capacity* (Btu/h)	63,122
COP	3.96

ELECTRICAL DATA

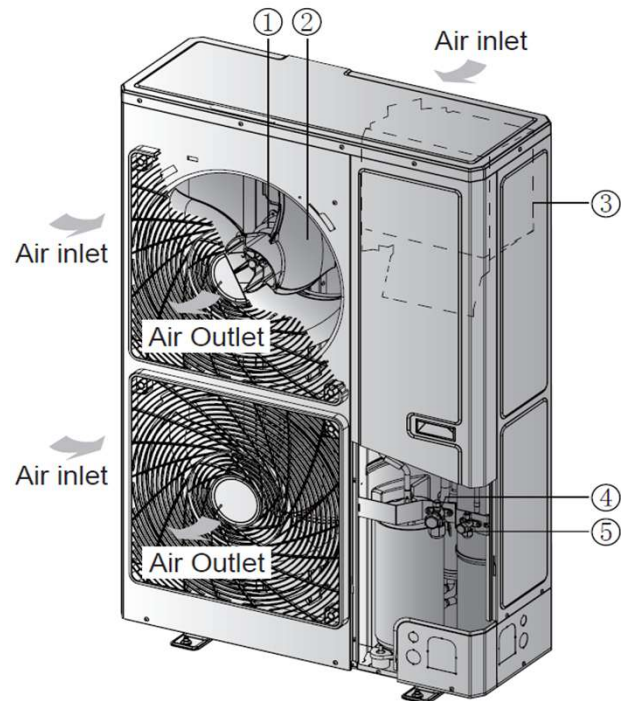
Power Supply (V / Hz / Ph)	220-240/50/1 - 208-230/60/1
MOP (A)	40
No. of Compressors	1
No. of Fans	1

GENERAL DATA

Combination Ratio Indoor / Outdoor	15% to 135%
Max. # of Indoor Units	9 units
Sound Pressure Level (dBA)	58
Refrigerant Type	R410a
Factory Refrigerant Charge (oz)	176.4

DIMENSIONS

Unit Dimensions (in)	Height	53
	Width	35 1/2
	Depth	13 3/8
Liquid Pipe Connection (in)		3/8
Gas Pipe Connection (in)		3/4
Shipping Weight (lb)		264.6
Net Weight (lb)		242.5



1. Fan, Motor
2. Fan Blade
3. Electronic Assembly
4. Gas Valve
5. Liquid Valve

NOTES:

*Cooling and Heating Capacity data is rated at the following conditions:

Cooling: 80 °F DB / 67 °F WB Indoor, 95 °F DB Outdoor

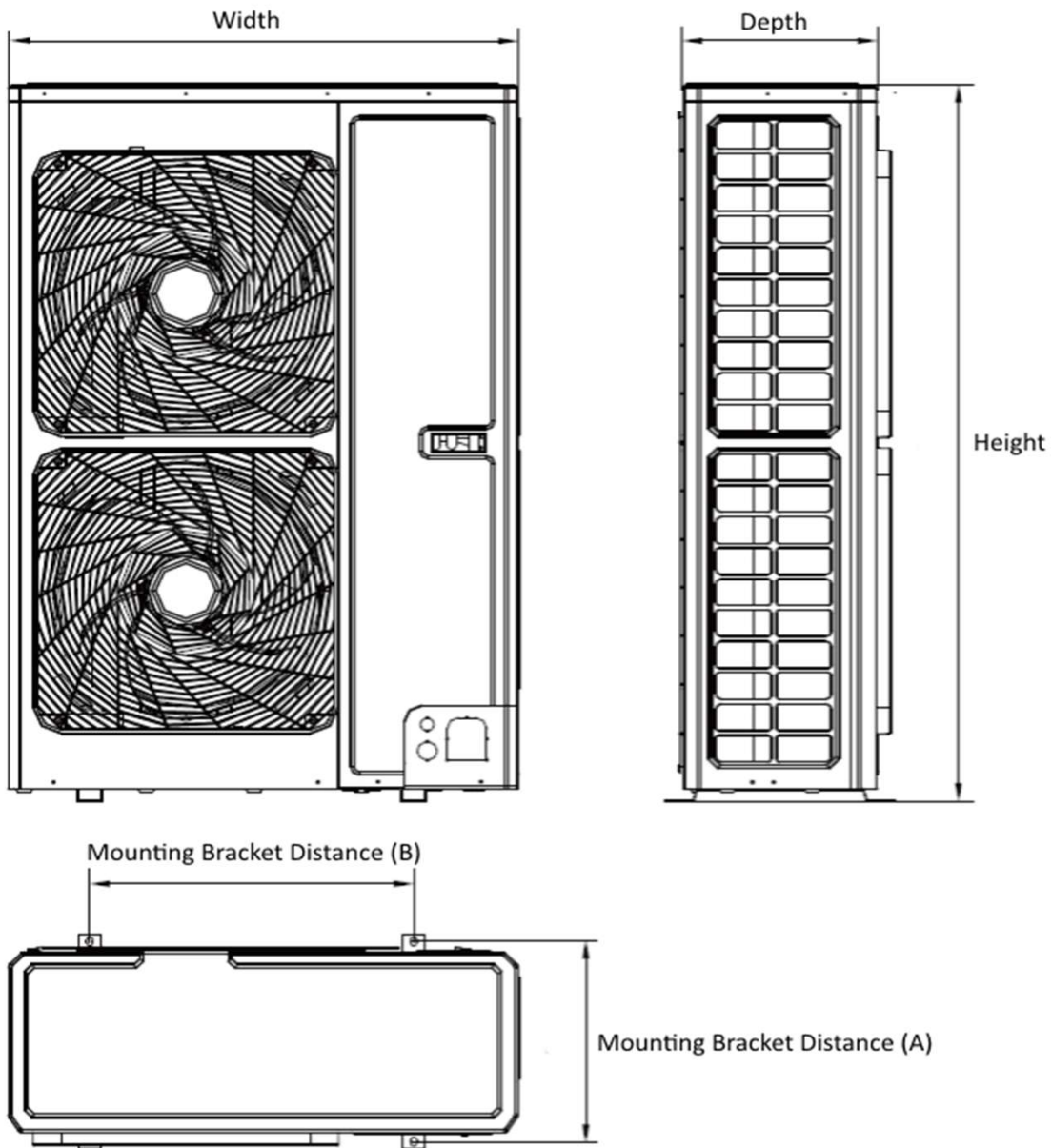
Heating: 70 °F DB Indoor, 47 °F DB

NOTE – Due to Lennox' ongoing commitment to quality, Specifications, Ratings and Dimensions subject to change without notice and without incurring liability. Improper installation, adjustment, alteration, service or maintenance can cause property damage or personal injury. Installation and service must be performed by a qualified installer and servicing agency. ©2014 Lennox Industries Inc.



SUBMITTAL DATA - OUTDOOR UNIT
VEP060N4U
MINI VRF HEAT PUMP

DIMENSIONAL DRAWINGS



	mm	in
Height	1345	53
Width	900	35 1/2
Depth	340	13 2/5
A	378	14 8/9
B	572	22 1/2

NOTE – Due to Lennox' ongoing commitment to quality, Specifications, Ratings and Dimensions subject to change without notice and without incurring liability. Improper installation, adjustment, alteration, service or maintenance can cause property damage or personal injury. Installation and service must be performed by a qualified installer and servicing agency. ©2014 Lennox Industries Inc.